



Supplied with
ADJUSTMENT
certificate



Probe(s) not included, sold separately

DATA SHEET

TK 61 - TK 62

Thermocouple Thermometers



- Adjustable alarms
- Adjustable backlight
- Hold-min-max functions
- Selection of temperature units
- Display of minimum and maximum values
- Configurable auto shut-off
- Delta temperature (TK62)

Technical specifications

Measuring elements	K, J, T or S thermocouple
Channels number	TK61: 1 channel / TK62: 2 channels
Display	4 lines, LCD technology. Dimensions: 50 x 36 mm. 2 lines of 5 digits with 7 segments (value) / 2 lines of 5 digits with 16 segments (unit)
Housing	ABS, IP54 protection
Keypad	5 keys
Connector engineering	Compensated miniature female connectors
European directives	2014/30/EU EMC; 2014/35/EU Low Voltage; 2011/65/EU RoHS II; 2012/19/EU WEEE
Power supply	4 batteries AAA LR03 1.5 V
Battery life	180 hours
Ambience	Neutral Gas
Conditions of use (°C, %RH, m)	From 0 to +50°C. In non condensing conditions. From 0 to 2000 m.
Storage temperature	From -20 to +80°C
Auto shut-off	Adjustable from 0 to 120 min
Weight	210 g

Specifications

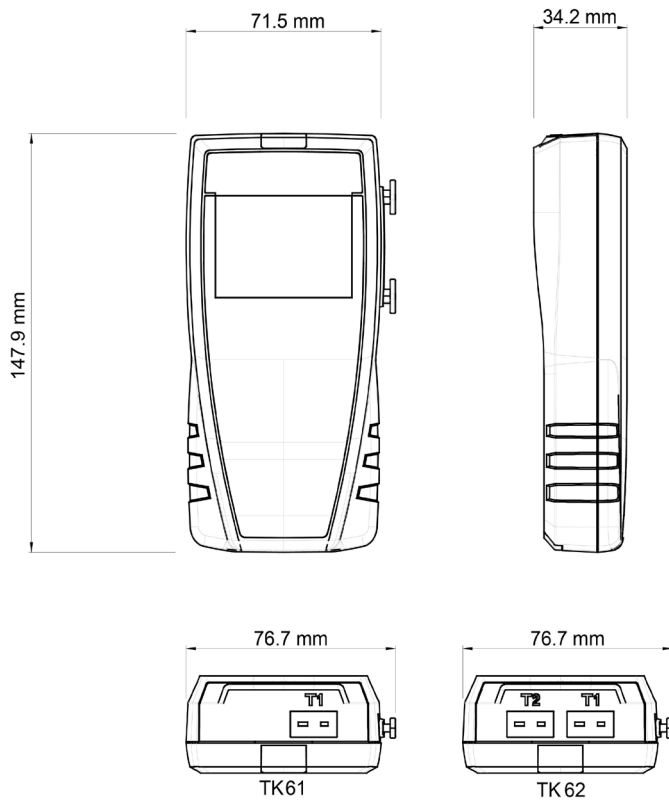
Thermocouple probes (see related data sheet)

Models	Measuring units	Measuring range	Accuracy ¹	Resolution
K Thermocouple	°C, °F	From -200 to +1300 °C	±1.1°C or ±0.4% of reading value ²	0.1 °C
J Thermocouple	°C, °F	From -100 to +750 °C	±0.8°C or ±0.4% of reading value ²	0.1 °C
T Thermocouple	°C, °F	From -200 to +400 °C	±0.5°C or ±0.4% of reading value ²	0.1 °C
S Thermocouple	°C, °F	From 0 to 1760 °C	±1°C or ±0.4% of reading value ²	0.1 °C

¹⁾ All accuracies indicated in this document were stated in laboratory conditions and can be guaranteed for measurements carried out with required compensation.

²⁾ The accuracy is expressed either by a deviation in °C, or by a percentage of the value concerned. Only the greatest value is considered.

Dimensions



Kit content

Instruments are supplied with adjustment certificate.

Accessories

Description	Reference
Magnetic protective housing	CQ 15
RTE: Telescopic extension length 1m, with index at 90°	RTE
Thermocouple temperature probes	-
Black ball Ø150 mm with stuffing box for temperature probe Ø4.5 mm. Other on request.	-
Transport case	ST 110
Calibration certificate	-

Maintenance

We carry out calibration, adjustment and maintenance of your instruments to guarantee a constant level of quality of your measurements. As part of Quality Assurance Standards, we recommend you to carry out a yearly checking.

Precautions for use

Please always use the device in accordance with its intended use and within parameters described in the technical features in order not to compromise the protection ensured by the device.

Operating principles

According to the Seebeck effect, when two wires composed of different metals are joined at both ends, an electric circuit is formed. This voltage varies according to the measured temperature.

K Thermocouple example

